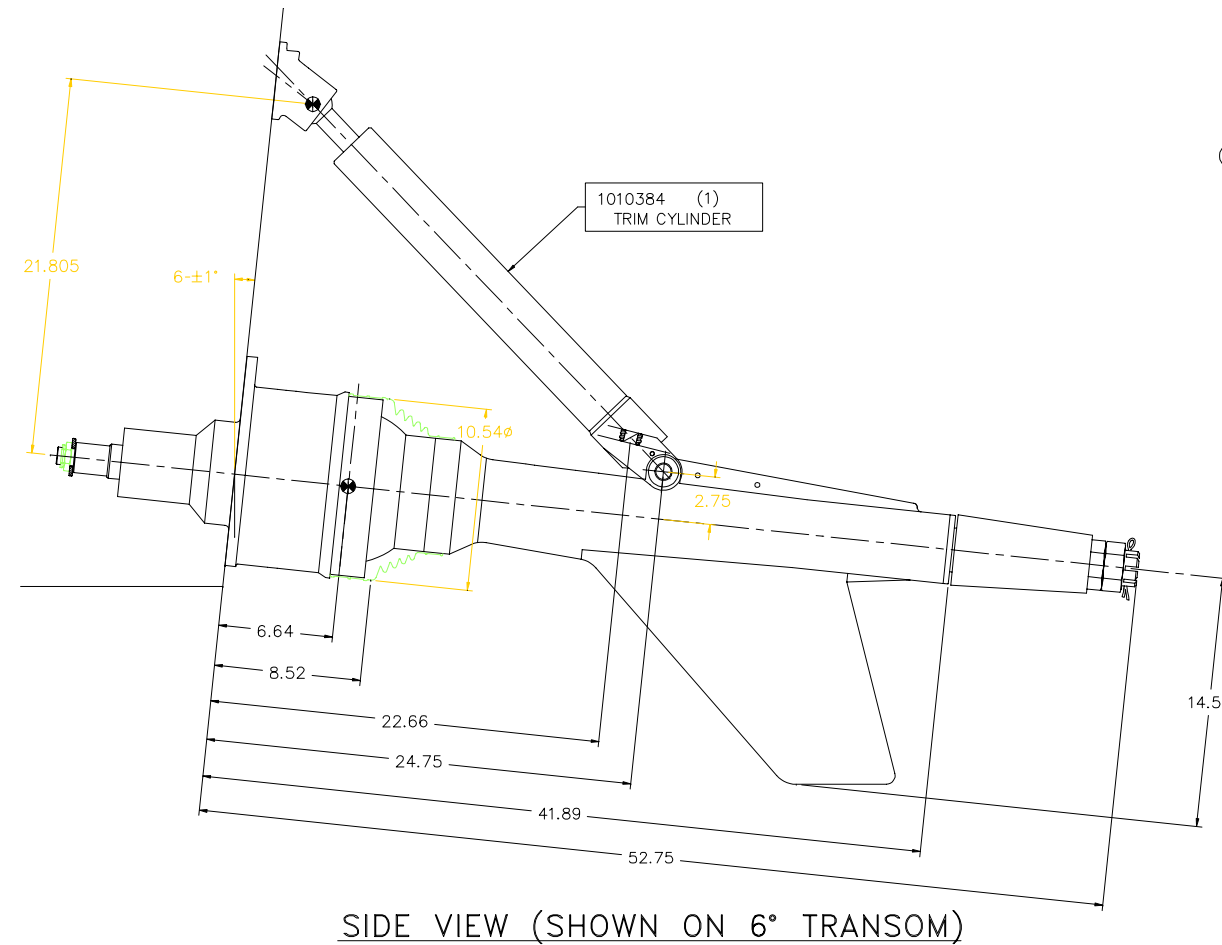
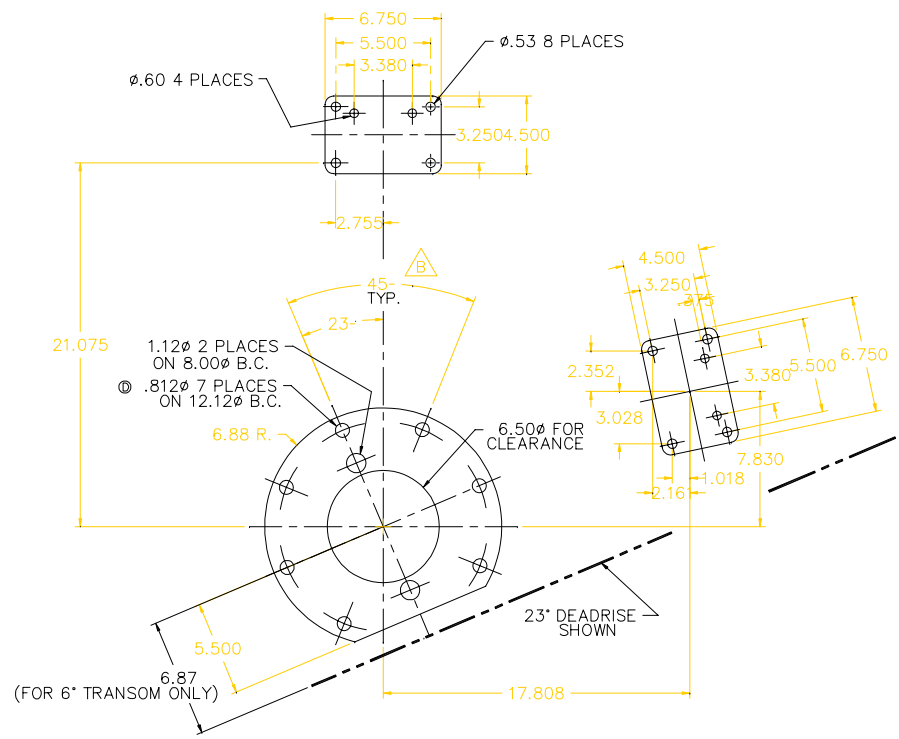


TOP VIEW

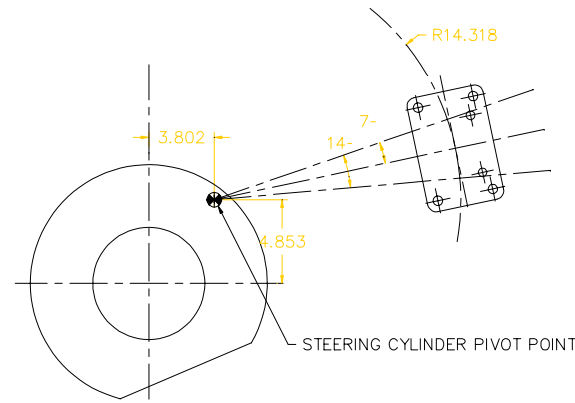


SIDE VIEW (SHOWN ON 6° TRANSOM)



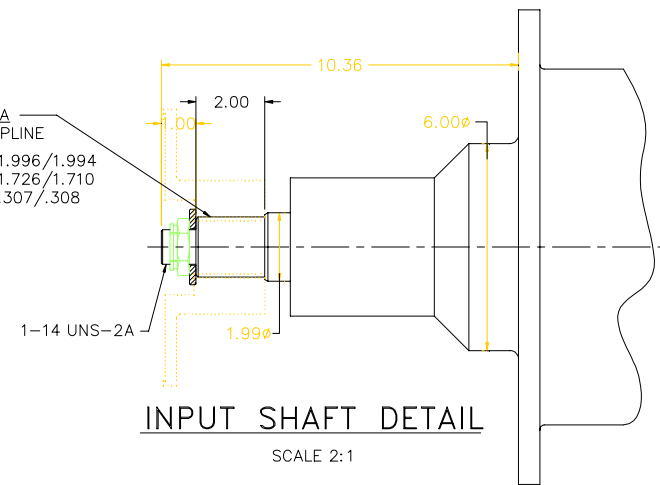
END VIEW

(DIMENSIONS ARE PARALLEL WITH TRANSOM)



OPTIONAL RANGE FOR STEERING CYLINDER LOCATION

SHAFT SPLINE DATA
 2-10 PARALLEL SIDE SPLINE
 MAJOR DIA. ----- 1.996/1.994
 MINOR DIA. ----- 1.726/1.710
 TOOTH WIDTH ----- .307/.308



INPUT SHAFT DETAIL

SCALE 2:1

NOTES:

1. THIS DRAWING IS TO BE USED AS A GUIDE ONLY. PLEASE REFER TO THE TWIN DISC INSTALLATION MANUAL FOR INSTALLING THE DRIVE AND CYLINDERS.
2. TRANSOM ANGLE FOR ASD UNITS TO BE 6 DEGREES TO VERTICAL, PLUS OR MINUS 1 DEGREE, AS SHOWN IN THE SIDE VIEW. A MOUNTING WEDGE IS REQUIRED FOR TRANSOM ANGLES OTHER THAN 6 DEGREES.
3. BACKING PLATES OF SAME APPROXIMATE DIMENSIONS AS SHOWN FOR EQUIPMENT FOOTPRINT ARE SUPPLIED. ADEQUATE CLEARANCE INSIDE VESSEL TRANSOM SHOULD BE PROVIDED.
4. DRILL ALL HOLES PERPENDICULAR TO TRANSOM.

REV	ZONE	CH. NO.	DATE	REV	ZONE	CH. NO.	DATE
				D		29231	3-26-99
				C		24816	1-14-94
				B		24813	1-12-94
				A		24751	12-10-93

NOTICE! THIS PRINT CONTAINS PROPRIETARY INFORMATION AND IS NOT TO BE USED IN ANY MANNER DETRIMENTAL TO THE INTERESTS OF TWIN DISC, INCORPORATED RACINE, WI 53403 - USA THIS NOTICE IS NOT INTENDED TO NULLIFY OR LIMIT RIGHTS GRANTED TO THE U.S. GOVERNMENT OR OTHERS BY CONTRACT.

MATERIAL	WEIGHT LBS. WR ¹ LBS. IN ³	UNLESS OTHERWISE SPECIFIED MACHINED DIMENSIONS XX ±0.10 X.XX ±0.010 X.XXX ±0.005	DATE 11-19-93 SCALE 1 = 5
HEAT TREAT	FIRST USE	ALL ANGULAR TOLERANCES ±1° GEOMETRIC TOLERANCING PER ANSI Y14.5M 1982	DRN. J.K.JAER
SURFACE TREATMENT	ASSY. MODEL ASD 10		CHK. GM

THIRD ANGLE PROJECTION	
SIMILAR TO	
REF. 002615	
TWIN DISC INCORPORATED RACINE, WI 53403 - USA	
1010973	
SHEET 1 OF 1 REV D	

INSTALLATION	
APPD. GM	