

ASD 10**ARNESON SURFACE DRIVE****DESCRIPTION****BRONZE IN-LINE (ASD10B1L)****ALUMINUM OR BRONZE DROP-CENTER (ASD10B1S)**

Bronze thrust assembly

Bronze (B) or aluminum (C) drop box
(drop-center drives only)

Internal lube oil reservoir

Steering cylinder with external hoses and fittings

Trim cylinder with external hoses and fittings

Installation manual, owners manual and drive ball
wrench (one per ship set)

**ACCESSORIES**

Anode kit

Cylinder position indicator kits with gauge

Hydraulic power steering system

Gearbox adapter

Driveline (cardan shaft)

Companion (input) flange

Tie-bar (mechanical or hydraulic – for multiple
engine vessels)

Inboard cylinder mounting kit

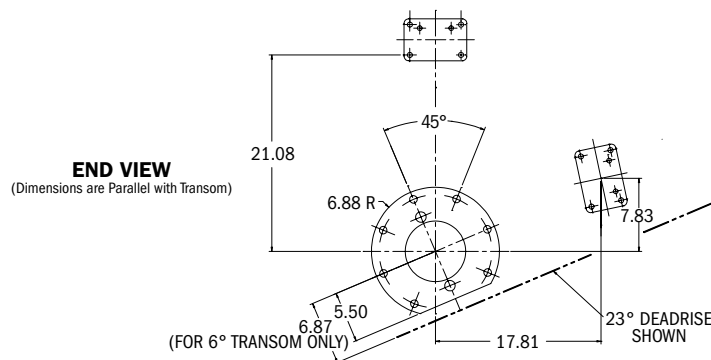
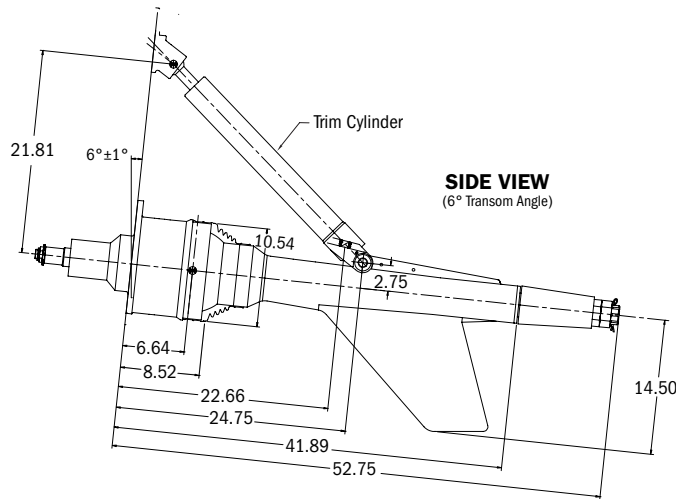
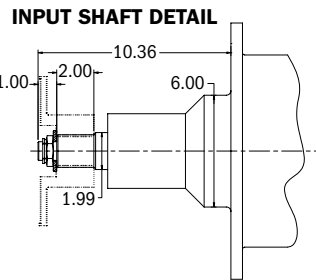
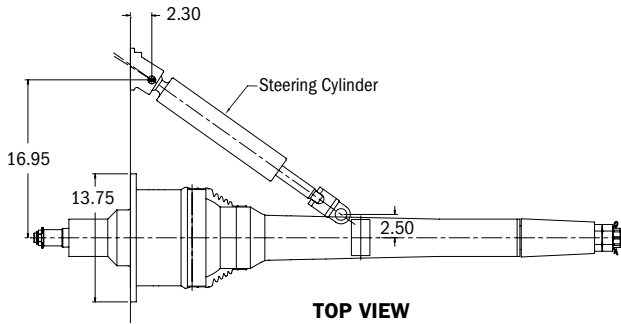
Propeller

TECHNICAL DATA

	ASD10B1L	ASD10B3S
Reduction Ratio	In-Line	10 in – 16 in
	1.00:1	1.00:1
Maximum Input Torque	2000 ft-lbs	1500 ft-lbs
Unit Weight	417 lbs	10 in: C560 lbs
		10 in: B750 lbs
		16 in: C600 lbs
		16 in: B820 lbs
Overall Length	53 in	63 in
Nominal Shaft Diameter	2.5 in	2.5 in
Steering Angle Degree	40 degrees	40 degrees
Trim Angle Degree	15 degrees	15 degrees

ASD 10 IN-LINE SURFACE DRIVE SCHEMATICS

CONTACT TWIN DISC FOR DROP-CENTER SURFACE DRIVE SCHEMATICS



Twin Disc, Incorporated reminds users of these products that their safe operation depends on use in compliance with engineering information provided in our catalog. Users are also reminded that safe operation depends on proper installation, operation and routine maintenance and inspection under prevailing conditions. It is the responsibility of users (and not Twin Disc, Incorporated) to provide and install guards or safety devices which may be required by recognized safety standards or by the Occupational Safety and Health Act of 1970 and its subsequent provisions.

United States of America • Australia • Belgium • France • Italy • Singapore • Switzerland



Twin Disc, Incorporated
Racine, Wisconsin 53403 USA
Phone +1-262-638-4000
Fax +1-262-638-4482
www.twindisc.com

TD-Bulletin-ASD10
 © 2009, Twin Disc, Incorporated
 Printed in the USA - 04/2009