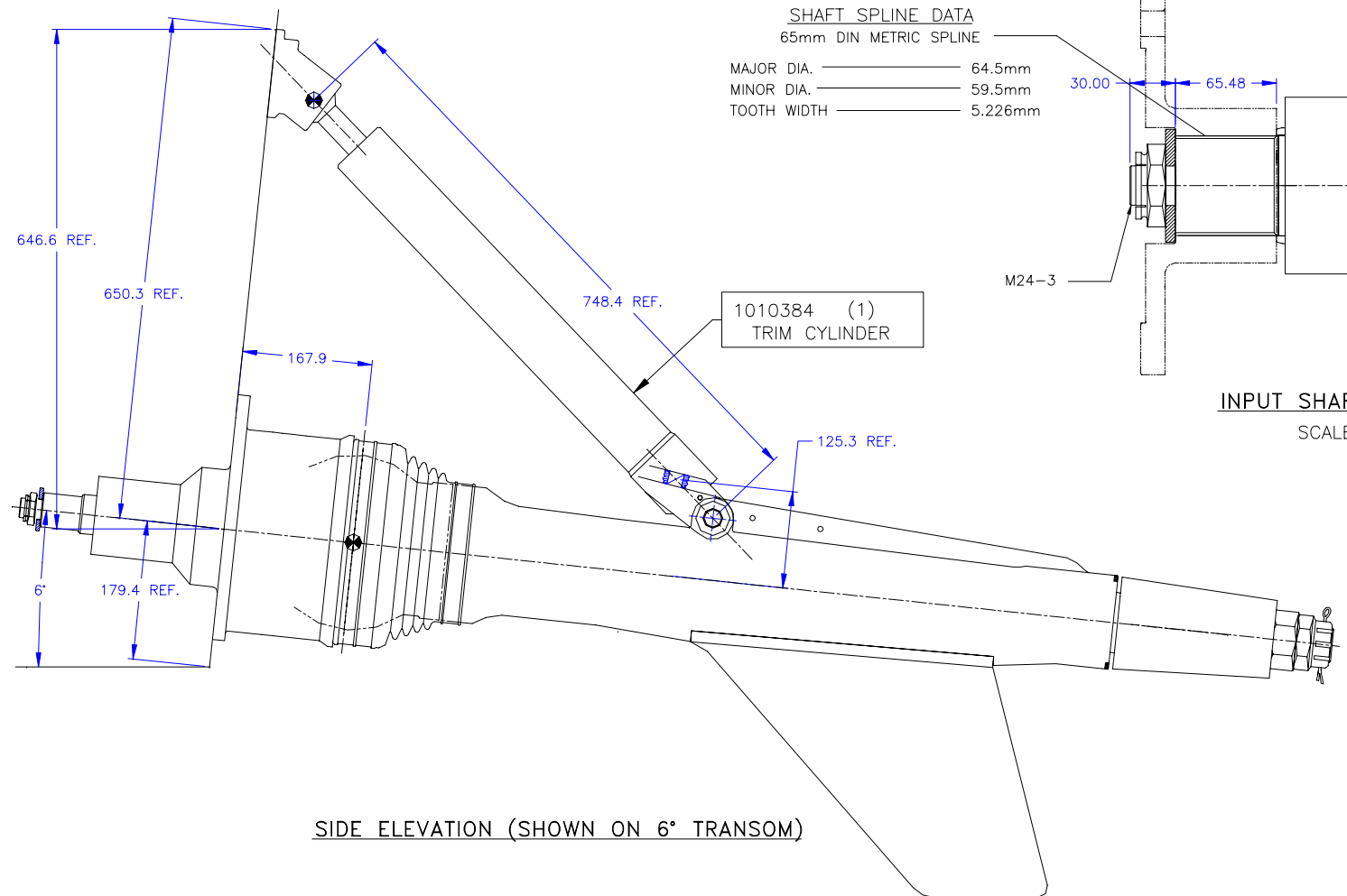


TOP (PLAN) VIEW

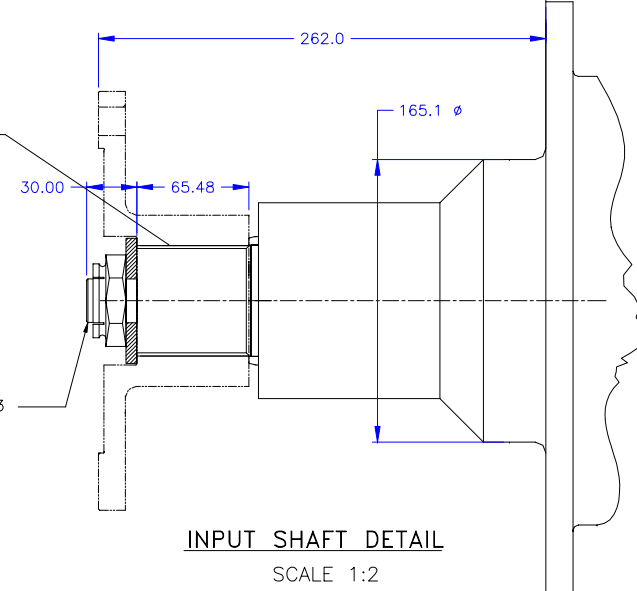
- NOTES:
1. THIS DRAWING IS TO BE USED AS A GUIDE ONLY. PLEASE REFER TO THE TWIN DISC INSTALLATION MANUAL (P/N 1019874) FOR INSTALLING THE DRIVE AND CYLINDERS.
 2. TRANSOM ANGLE FOR ASD UNITS TO BE 6 DEGREES TO VERTICAL, PLUS OR MINUS 1 DEGREE, AS SHOWN IN THE SIDE VIEW. A MOUNTING WEDGE IS REQUIRED FOR TRANSOM ANGLES OTHER THAN 6 DEGREES.
 3. BACKING PLATES (P/N 1019731) OF SAME APPROXIMATE DIMENSIONS AS SHOWN FOR EQUIPMENT FOOTPRINT ARE SUPPLIED. ADEQUATE CLEARANCE INSIDE VESSEL TRANSOM SHOULD BE PROVIDED.
 4. MEASURE AND DRILL ALL HOLES PERPENDICULAR TO TRANSOM.



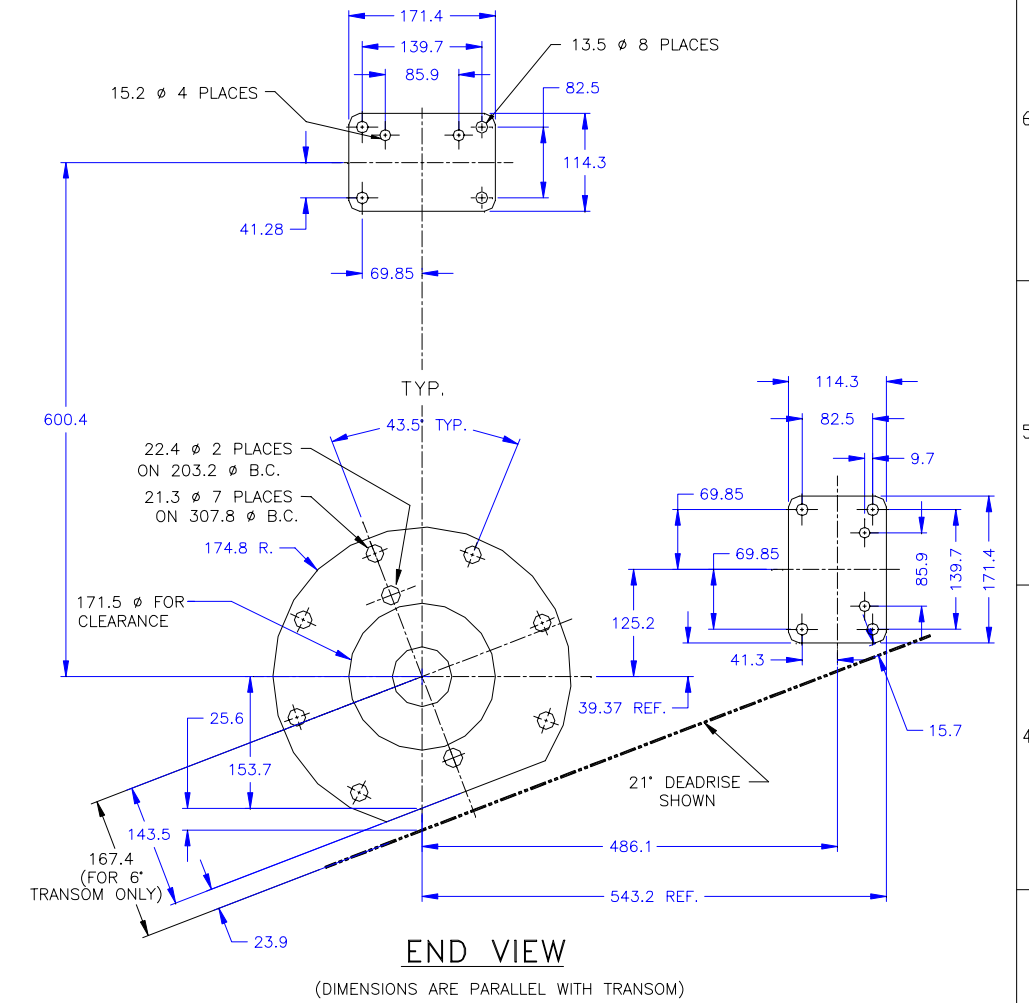
SIDE ELEVATION (SHOWN ON 6° TRANSOM)

SHAFT SPLINE DATA
65mm DIN METRIC SPLINE

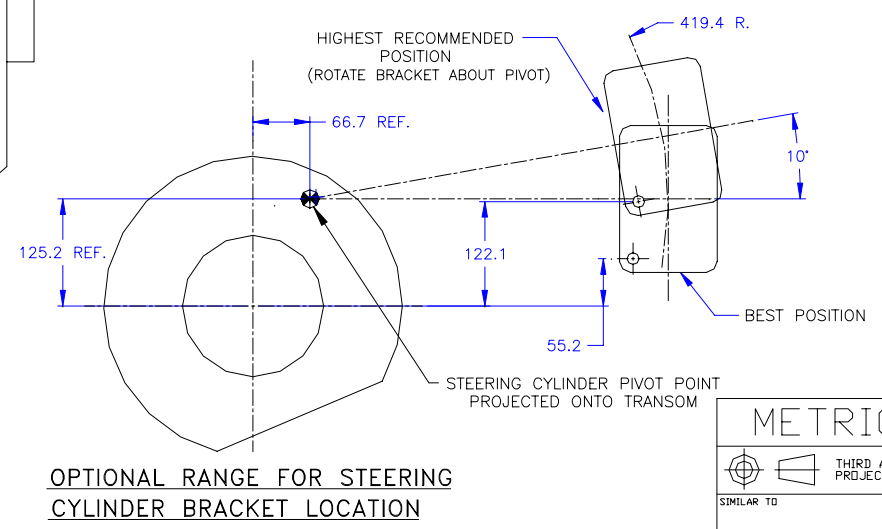
MAJOR DIA.	64.5mm
MINOR DIA.	59.5mm
TOOTH WIDTH	5.226mm



INPUT SHAFT DETAIL
SCALE 1:2



END VIEW
(DIMENSIONS ARE PARALLEL WITH TRANSOM)



OPTIONAL RANGE FOR STEERING CYLINDER BRACKET LOCATION

REF. 002615

NOTICE: THIS PRINT CONTAINS PROPRIETARY INFORMATION AND IS NOT TO BE USED IN ANY MANNER DETRIMENTAL TO THE INTERESTS OF TWIN DISC, INCORPORATED RACINE, WI 53403 - USA THIS NOTICE IS NOT INTENDED TO NULLIFY OR LIMIT RIGHTS GRANTED TO THE U.S. GOVERNMENT OR OTHERS BY CONTRACT.	MATERIAL	WEIGHT	VR ¹	UNLESS OTHERWISE SPECIFIED DIMENSIONS ARE IN MILLIMETERS	DATE	TWIN DISC INCORPORATED RACINE, WI 53403 - USA 1019816
	HEAT TREAT	FIRST USE	SCALE	3-7-00		
	SURFACE TREATMENT	ASSY. MODEL	1/4=1	DIRN: D. MEYERS		
		NAME	ALL ANGULAR TOLERANCES ±1° GEOMETRIC TOLERANCING PER ANSI Y14.5M 1982	CHK: FN		
	INSTALLATION			APPD: FN	SHEET 2 OF 2 REV ---	

METRIC
THIRD ANGLE PROJECTION
SIMILAR TO

SHEET 1
INCH DIMENSIONS
SHEET 2
METRIC DIMENSIONS