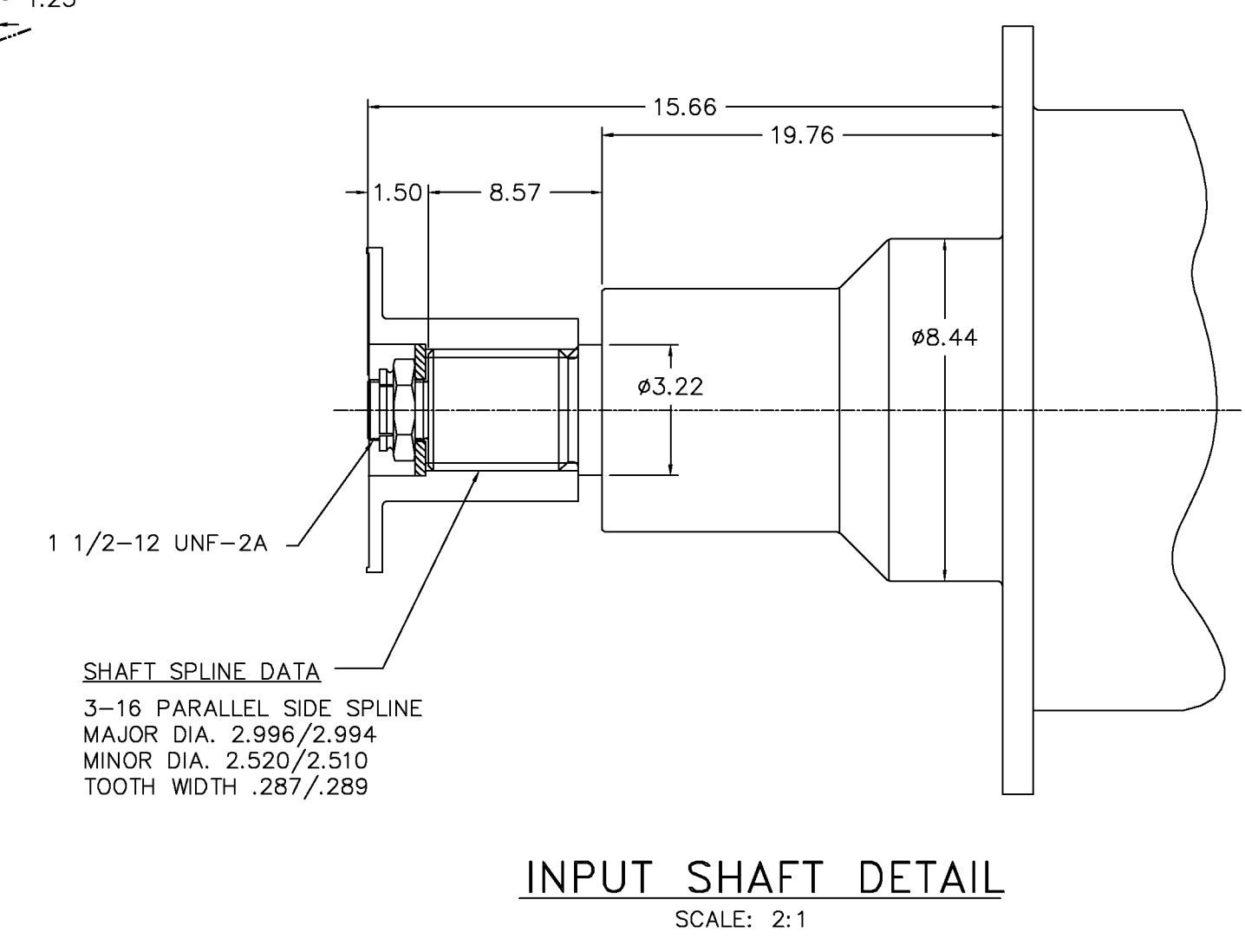


- NOTES:**
1. THIS DRAWING IS TO BE USED AS A GUIDE ONLY. PLEASE REFER TO THE TWIN DISC INSTALLATION MANUAL FOR INSTALLING THE DRIVE AND CYLINDERS.
  2. TRANSOM ANGLE FOR ASD UNITS TO BE 6 DEGREES TO VERTICAL, PLUS OR MINUS 1 DEGREE, AS SHOWN IN THE SIDE VIEW. A MOUNTING WEDGE IS REQUIRED FOR TRANSOM ANGLES OTHER THAN 6 DEGREES.
  3. BACKING PLATES OF SAME APPROXIMATE DIMENSIONS AS SHOWN FOR EQUIPMENT FOOTPRINT ARE SUPPLIED. ADEQUATE CLEARANCE INSIDE VESSEL TRANSOM SHOULD BE PROVIDED.
  4. DRILL ALL HOLES PERPENDICULAR TO TRANSOM.



REV	SHEET	ZONE	CH. NO.	DATE	REV	SHEET	ZONE	CH. NO.	DATE
B			ECN14956	09/04/07					
A			ECN24751	12/10/93					

UNLESS OTHERWISE SPECIFIED  
MACHINED DIMENSIONS  
XX ±0.030  
XXX ±0.010  
XXXX ±0.005  
ALL ANGULAR TOLERANCES ±1°  
GEOMETRIC TOLERANCING  
PER ASME Y14.5M 1994

WEIGHT  
LBS. LBS/IN<sup>3</sup>

FIRST USE  
ASSY. ASD 14  
MODEL

INCH

THIRD ANGLE PROJECTION

MATERIAL  
SIMILAR TO

HEAT TREAT

NAME  
INSTALLATION

DATE 11/19/93	<b>TWIN DISC</b> INCORPORATED RACINE, WI 53403 - USA
SCALE 1:8	
DRN. J. KJAER	1011057
CHK. GAM	
APP'D. GAM	DWG. SIZE D
	SHT. REV B