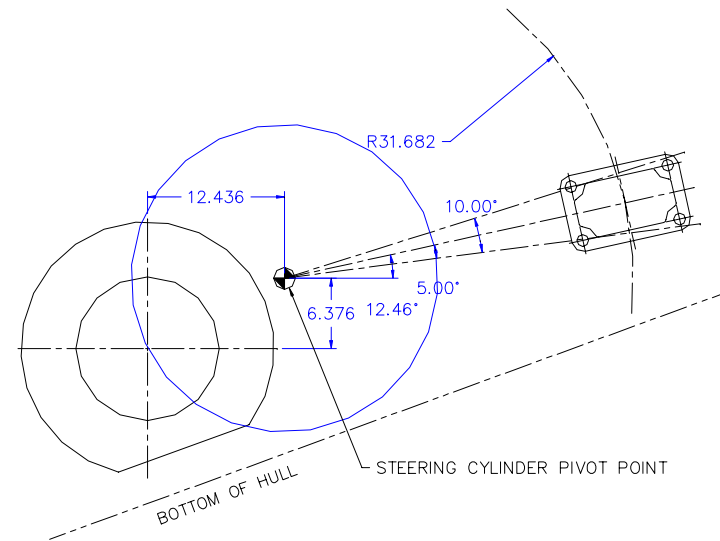
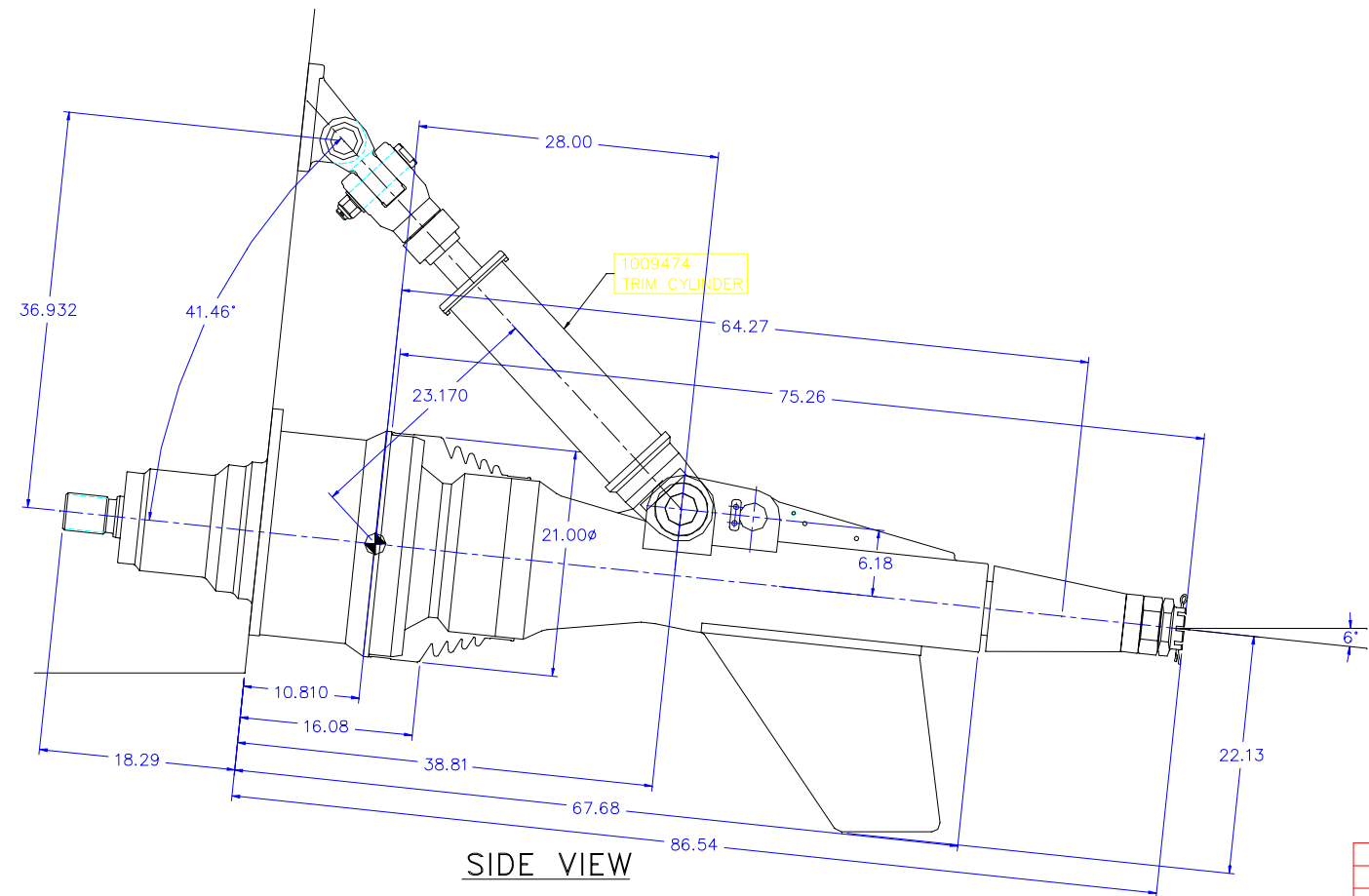


**SPLINE DATA**  
 INTERNAL INVOLUTE, FLAT ROOT  
 SIDE FIT, CLASS 5  
 NO OF TEETH ----- 27  
 SPLINE PITCH ----- 8/16  
 PRESSURE ANGLE ----- 30°  
 BASE DIA. ----- 2.9228  
 PITCH DIA. ----- 3.375  
 MAJOR DIA. ----- 3.548  
 FORM DIA. ----- 3.507  
 MINOR DIA. ----- 3.250  
 CIRCULAR SPACE WIDTH  
 MAX ACTUAL ----- .1963  
 MIN EFFECTIVE ----- .1998



- NOTES:
1. THIS DRAWING IS TO BE USED AS A GUIDE ONLY. PLEASE REFER TO THE TWIN DISC INSTALLATION MANUAL FOR INSTALLING THE DRIVE AND CYLINDERS.
  2. TRANSOM ANGLE FOR ASD UNITS TO BE 6 DEGREES TO VERTICAL, PLUS OR MINUS 1 DEGREE, AS SHOWN IN THE SIDE VIEW. A MOUNTING WEDGE IS REQUIRED FOR TRANSOM ANGLES OTHER THAN 6 DEGREES.
  3. BACKING PLATES OF SAME APPROXIMATE DIMENSIONS AS SHOWN FOR EQUIPMENT FOOTPRINT ARE SUPPLIED. ADEQUATE CLEARANCE INSIDE VESSEL TRANSOM SHOULD BE PROVIDED.
  4. DRILL ALL HOLES PERPENDICULAR TO TRANSOM.

REV				REV				SIMILAR TO		MATERIAL		WEIGHT		UNLESS OTHERWISE SPECIFIED		DATE		 1011039 SHEET 1 OF 1	
MACHINED DIMENSIONS				HEAT TREAT				FIRST USE		LBS.		XXX ± 0.030		2/27/95					
XXXX ± 0.005				SURFACE TREATMENT				ASSY: ASD 16		LBS. IN.		XXX ± 0.010		SCALE					
THIS NOTICE IS NOT INTENDED TO WAIVE OR LIMIT RIGHTS GRANTED TO THE U.S. GOVERNMENT OR OTHER BY CONTRACT.								MODEL				XXX ± 0.005		1:8					
								NAME				ALL ANGULAR TOLERANCES ± 1°		DRN: J. KJAER					
GEOMETRIC TOLERANCING PER ANSI Y14.5M 1982 CHK: GAM APPD: GAM INSTALLATION																			