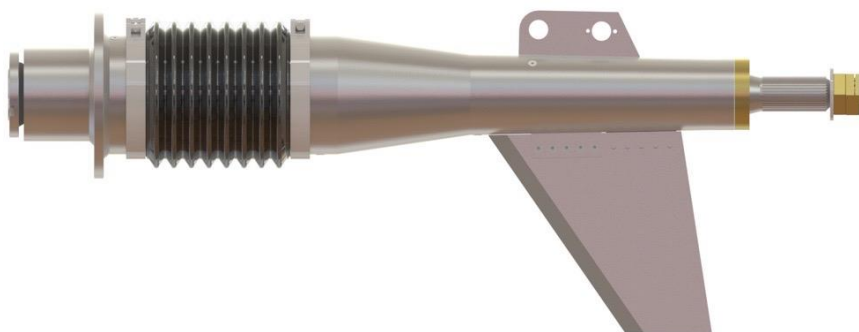


TS110



Description

Top System is a surface drive system trimmable and steerable. The Top System Surface Drive is suitable to planing motor boats of high performances with a range of features so far out of reach, which goes from 300 up to 4000 hp. The Top System transmission system is made entirely of AISI 316 stainless steel.

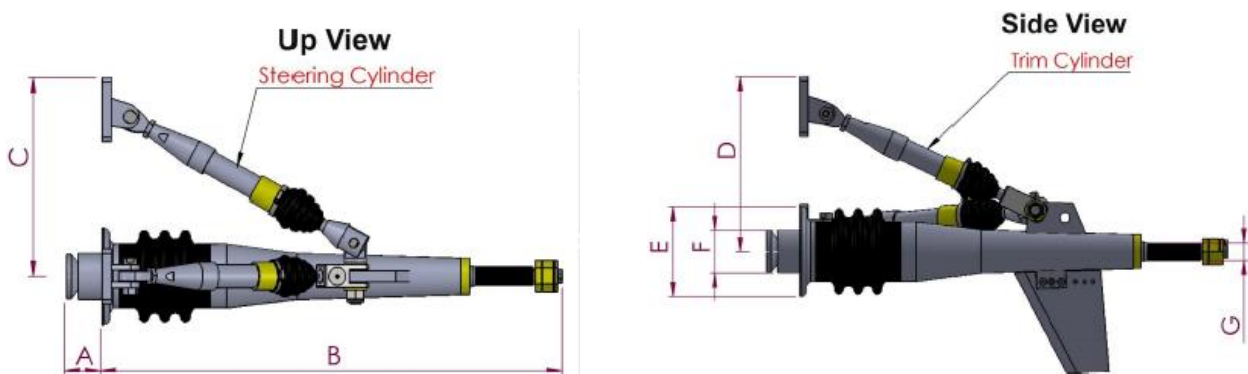
Accessories

- drives
- hydraulic kit
- cardan joint
- autopilot interface
- monitoring solution

Technical Data

Model	TS110
Light Duty – Max Torque [Nm]	16.500 Nm
Heavy Duty – Max Torque [Nm]	22.000 Nm

TS110



<i>Dimensions</i>			
<i>A</i>	<i>403 mm</i>	<i>E</i>	<i>Ø 600 mm</i>
<i>B</i>	<i>2395 mm</i>	<i>F</i>	<i>Ø 340 mm</i>
<i>C</i>	<i>850 mm</i>	<i>G</i>	<i>Z 32</i>
<i>D</i>	<i>1020 mm</i>	<i>Weight</i>	<i>2400 Kg</i>

EasySet



Functions:

- *control of trim tabs and shaft trimming*
- *steering assistance*
- *roll stabilization*
- *steering limitation at high speed*
- *maneuvering assistance*
- *shaft parking*
- *engine data monitoring*