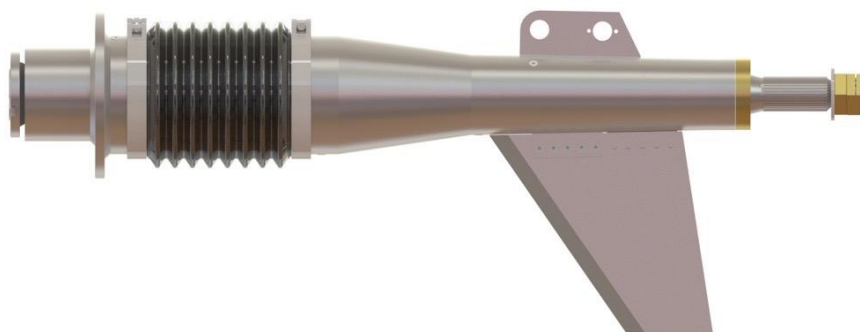


## TS120



### Description

*Top System is a surface drive system trimmable and steerable. The Top System Surface Drive is suitable to planing motor boats of high performances with a range of features so far out of reach, which goes from 300 up to 4000 hp. The Top System transmission system is made entirely of AISI 316 stainless steel.*

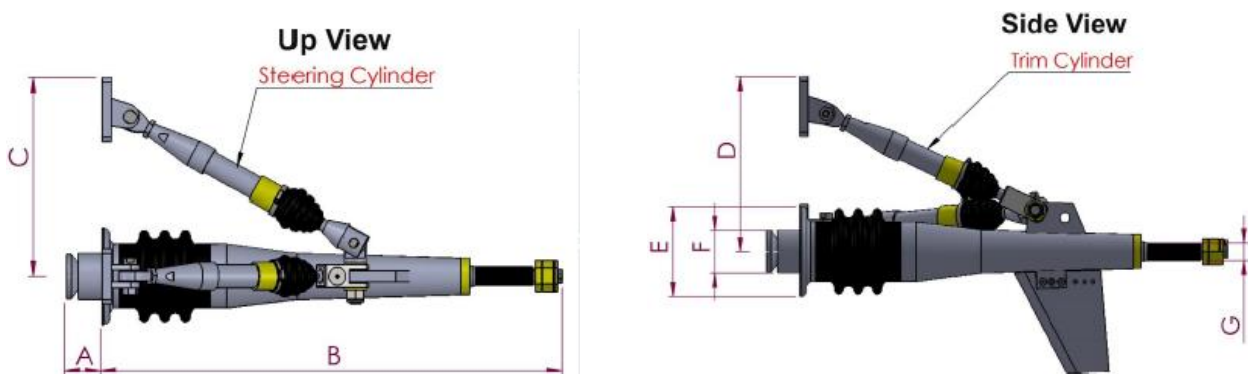
### Accessories

- drives
- hydraulic kit
- cardan joint
- autopilot interface
- monitoring solution

### Technical Data

Model	TS120
Light Duty – Max Torque [Nm]	22.500 Nm
Heavy Duty – Max Torque [Nm]	30.000 Nm

# TS120



<i>Dimensions</i>			
<i>A</i>	<i>403 mm</i>	<i>E</i>	<i>Ø 600 mm</i>
<i>B</i>	<i>2400 mm</i>	<i>F</i>	<i>Ø 340 mm</i>
<i>C</i>	<i>850 mm</i>	<i>G</i>	<i>Z 32</i>
<i>D</i>	<i>1020 mm</i>	<i>Weight</i>	<i>2400 Kg</i>

# EasySet



### Functions:

- control of trim tabs and shaft trimming
- steering assistance
- roll stabilization
- steering limitation at high speed
- maneuvering assistance
- shaft parking
- engine data monitoring