

# TS65



## Description

*Top System is a surface drive system trimmable and steerable. The Top System Surface Drive is suitable to planing motor boats of high performances with a range of features so far out of reach, which goes from 300 up to 4000 hp. The Top System transmission system is made entirely of AISI 316 stainless steel.*

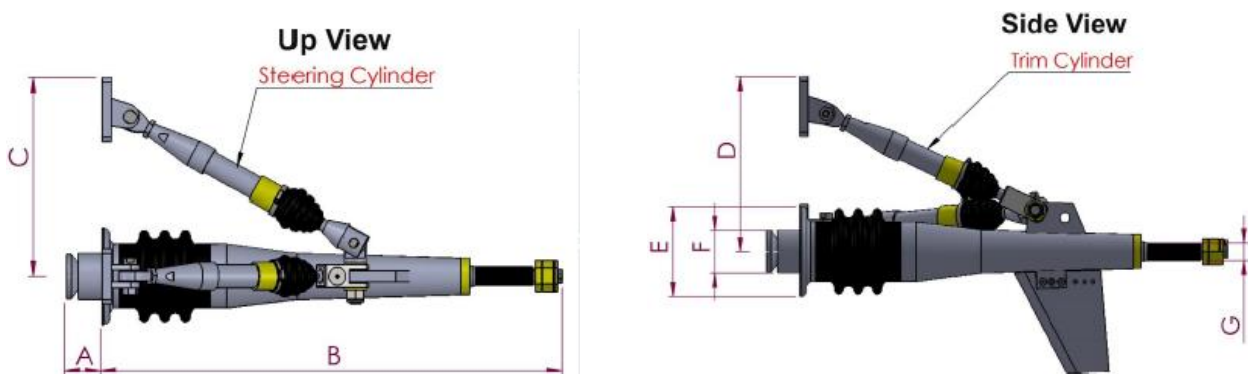
## Accessories

- drives
- hydraulic kit
- cardan joint
- autopilot interface
- monitoring solution

## Technical Data

<i>Model</i>	<i>TS65</i>
<i>Light Duty - Max Torque [Nm]</i>	<i>4.300 Nm</i>
<i>Heavy Duty - Max Torque [Nm]</i>	<i>3.300 Nm</i>

# TS65



<i>Dimensions</i>			
<i>A</i>	<i>175 mm</i>	<i>E</i>	<i>Ø 270 mm</i>
<i>B</i>	<i>1340 mm</i>	<i>F</i>	<i>Ø 170 mm</i>
<i>C</i>	<i>570 mm</i>	<i>G</i>	<i>Z 36</i>
<i>D</i>	<i>580 mm</i>	<i>Weight</i>	<i>360 Kg</i>

# EasySet



### Functions:

- *control of trim tabs and shaft trimming*
- *steering assistance*
- *roll stabilization*
- *steering limitation at high speed*
- *maneuvering assistance*
- *shaft parking*
- *engine data monitoring*