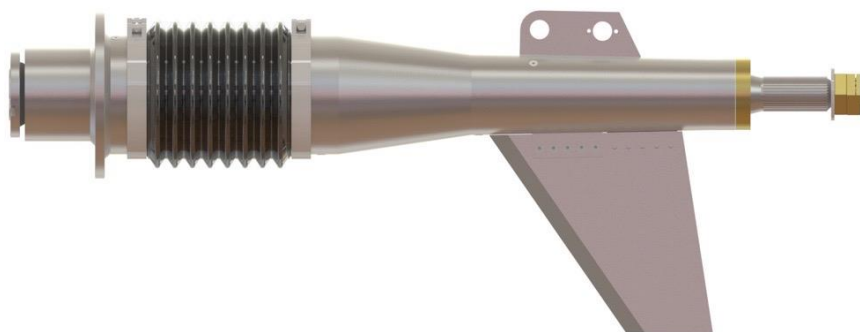


TS85



Description

Top System is a surface drive system trimmable and steerable. The Top System Surface Drive is suitable to planing motor boats of high performances with a range of features so far out of reach, which goes from 300 up to 4000 hp. The Top System transmission system is made entirely of AISI 316 stainless steel.

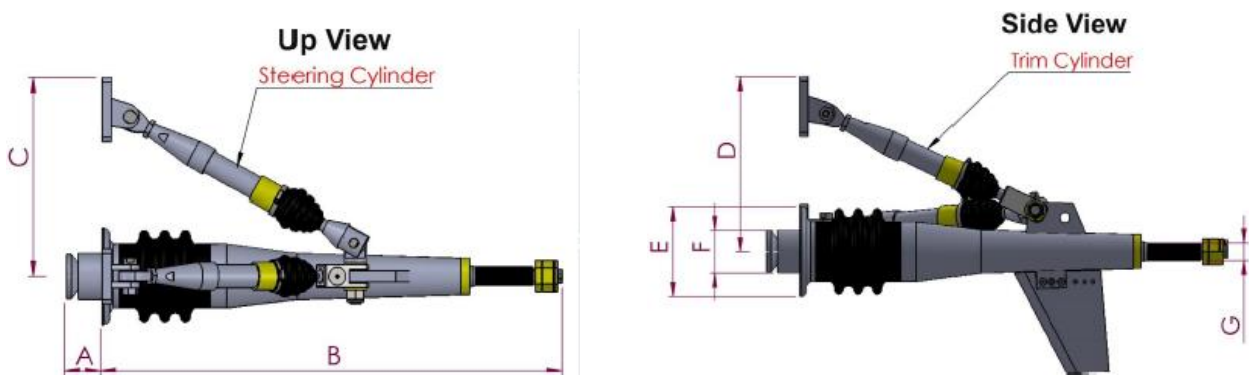
Accessories

- drives
- hydraulic kit
- cardan joint
- autopilot interface
- monitoring solution

Technical Data

<i>Model</i>	<i>TS85</i>
<i>Light Duty - Max Torque [Nm]</i>	<i>13.000 Nm</i>
<i>Heavy Duty - Max Torque [Nm]</i>	<i>9.800 Nm</i>

TS85



<i>Dimensions</i>			
<i>A</i>	<i>175 mm</i>	<i>E</i>	<i>Ø 400 mm</i>
<i>B</i>	<i>1645 mm</i>	<i>F</i>	<i>Ø 210 mm</i>
<i>C</i>	<i>830 mm</i>	<i>G</i>	<i>Z 34</i>
<i>D</i>	<i>810 mm</i>	<i>Weight</i>	<i>1000 Kg</i>

EasySet



Functions:

- control of trim tabs and shaft trimming
- steering assistance
- roll stabilization
- steering limitation at high speed
- maneuvering assistance
- shaft parking
- engine data monitoring